

4

3

2

1

D

D

C

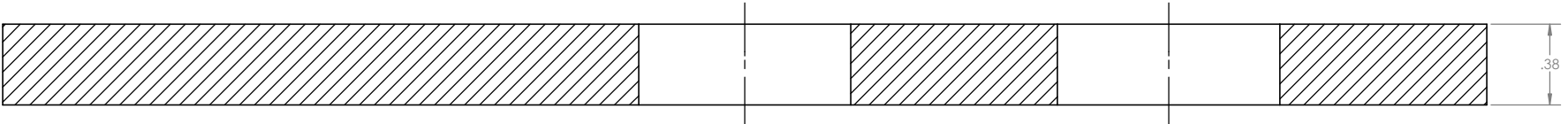
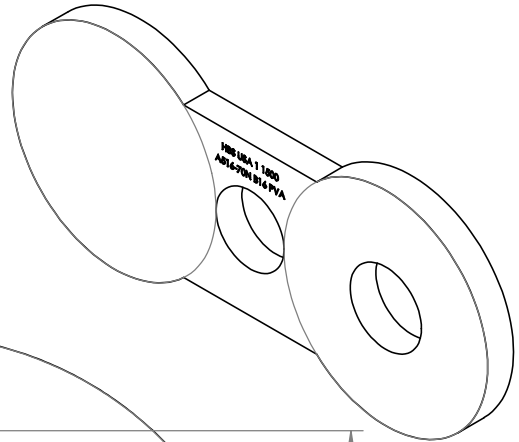
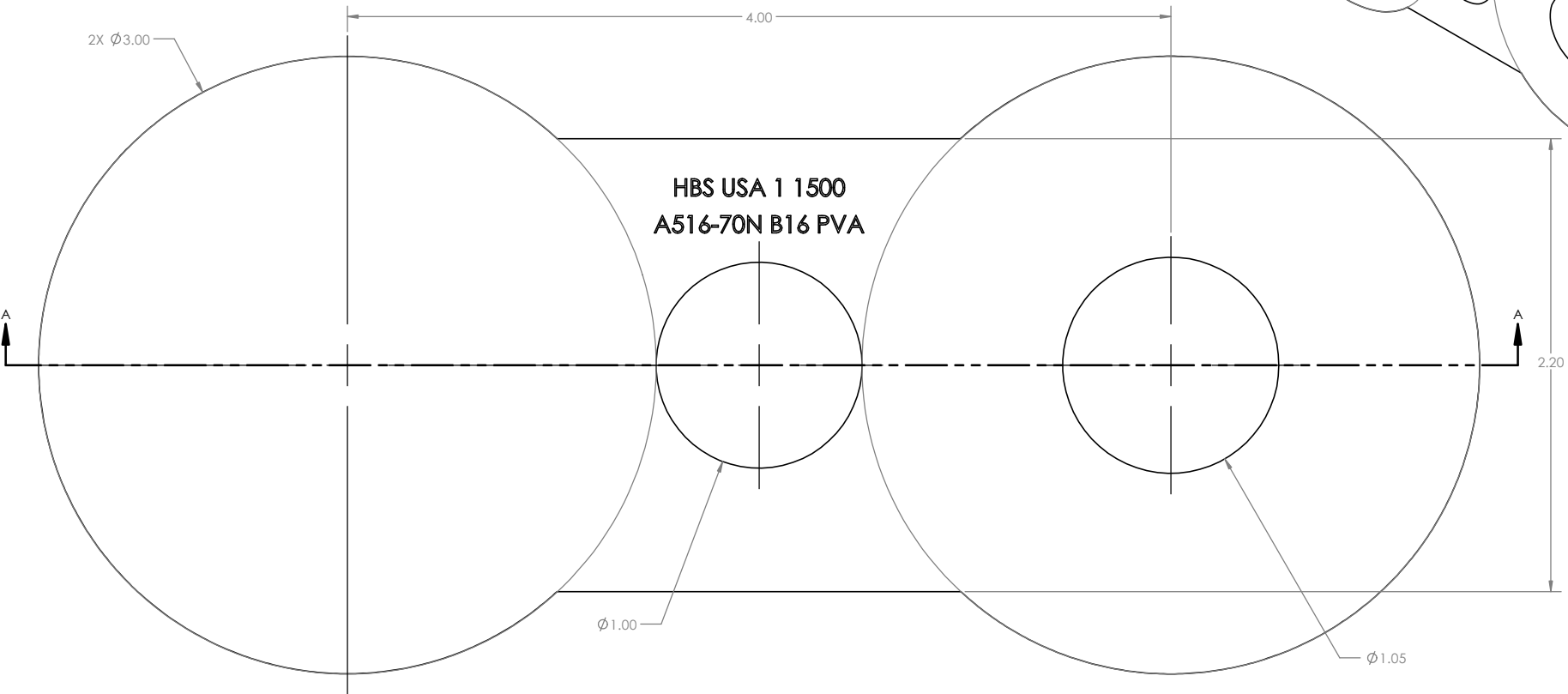
C

B

B

A

A



SECTION A-A

DO NOT SCALE PRINT		UNLESS OTHERWISE SPECIFIED: OUTSIDE DIAMETER: (+/-0.12) INSIDE DIAMETER: (+/-0.12) THICKNESS TOLERANCES (-ZERO +0.12) ALL UNITS IN INCHES OR POUNDS			
		SHEET 1 OF 1			SURFACE FINISH: MACHINE OR MILL
MATERIAL: CUSTOMER REQUESTED		DATE: 07/06/2020		DRAWING TITLE: 1 CL 1500 FIGURE 8 BLIND	
SCALE 3:1	SIZE C	DIMENSIONS & TOLERANCES TO BE IN ACCORDANCE WITH ASME B16.48	WEIGHT 1 lb	REV 00	
		DRAWING NUMBER: FSBH			

4

3

2

1